

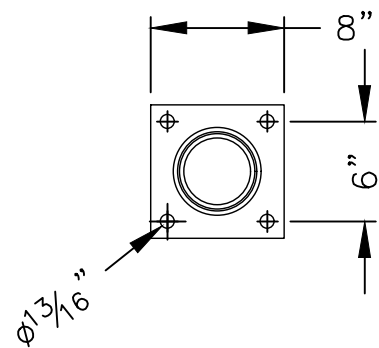
- Primed
- Galvanized
- Bare

PIPE SPECS: (4" Sch. 40)

- ID - 4"
- OD - 4.5"
- 10.79 lb/ft

PIPE SPECS: (4" Sch. 80)

- ID - 3.83"
- OD - 4.5"
- 14.90 lb/ft



8" x 8" x 1/2" PLATE

THIS DRAWING AND ALL THE INFORMATION THEREON IS THE PROPERTY OF THE IDEAL SHIELD, IS CONFIDENTIAL AND MUST NOT BE MADE PUBLIC, NOR COPIED, NOR USED, TO THE DISADVANTAGE OF SAID IDEAL SHIELD AND IS SUBJECT TO RETURN ON DEMAND.
 COPYRIGHT 2003, IDEAL SHIELD®

NO.	REVISIONS	DATE	APPROVED



PROJECT	CUSTOMER	DESCRIPTION	DRAWN BY:	APPROVED BY:	DATE:
		4" PIPE BOLLARD/PLATED	GCC		1/1/2019
			PROJECT NO.:		SCALE:
			FINISH:		DRAWING NO.:
			MATERIAL:		SHEET 1 OF 1