

Base Plate
1'x2'-6"x $\frac{3}{4}$ " painted black

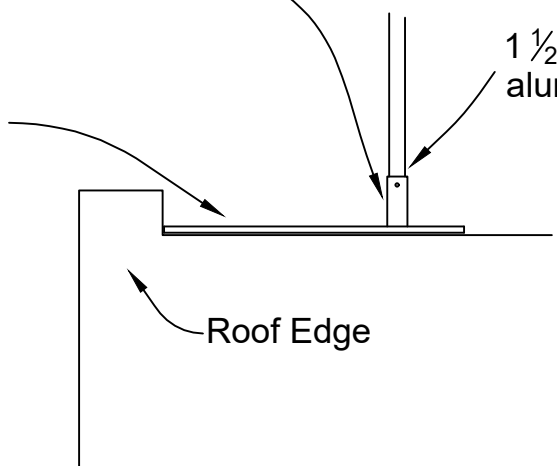
2" pipe w/ set screw

Base Plate

- Galvanized option is available with extra charge

1 1/2" sch. 40 anodized aluminum pipe

Roof Edge



THIS DRAWING AND ALL THE INFORMATION THEREON IS THE PROPERTY OF THE IDEAL SHIELD, IS CONFIDENTIAL AND MUST NOT BE MADE PUBLIC, NOR COPIED, NOR USED, TO THE DISADVANTAGE OF SAID IDEAL SHIELD AND IS SUBJECT TO RETURN ON DEMAND.
COPYRIGHT 2019 , IDEAL SHIELD

NO.	REVISIONS	DATE	APPROVED

IDEAL SHIELD
2525 Clark St.
Detroit, MI 48209

PROJECT

CUSTOMER

DESCRIPTION
IDEAL SHIELD
HRK Roof Rail

DRAWN BY: GCC
PROJECT NO.:
FINISH:
MATERIAL: STEEL & HDPE

APPROVED BY:
SCALE:
DRAWING NO.:
SHEET 1 OF 1

DATE:
SCALE:
DRAWING NO.:
SHEET 1 OF 1