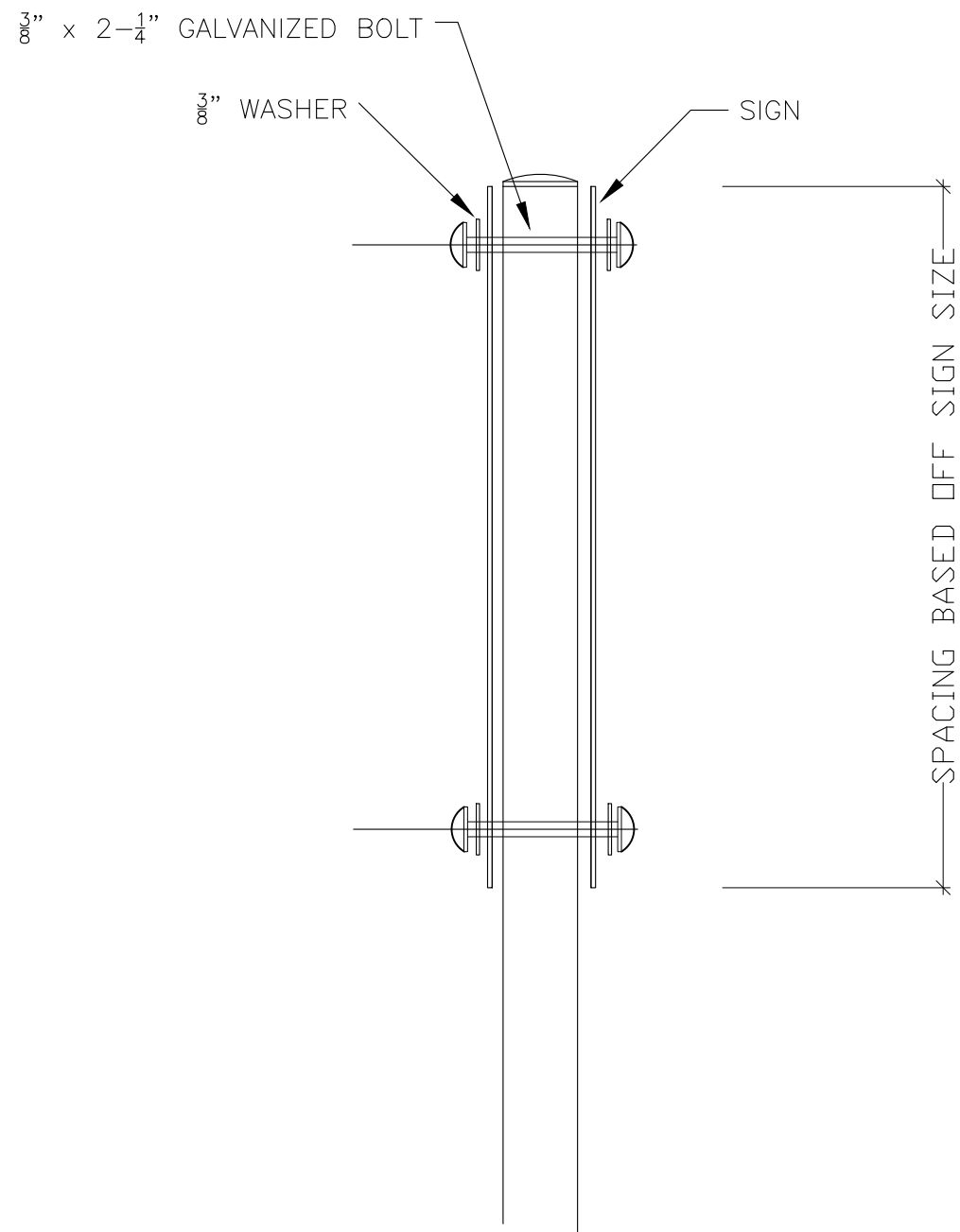
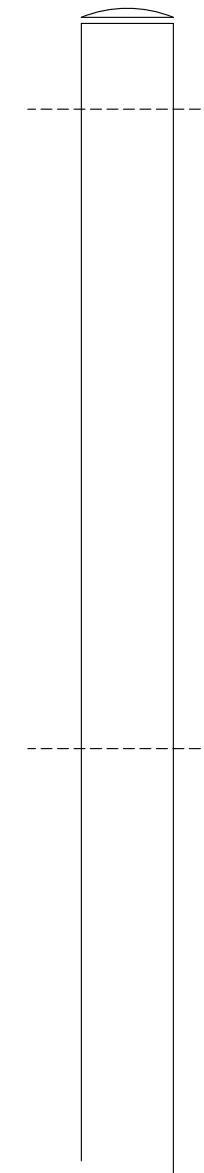


SIGN SYSTEM (SINGLE SIGN OPTION)



SIGN SYSTEM (MULTIPLE SIGN OPTION)



SIGN SYSTEM (CUSTOM SPACING)

THIS DRAWING AND ALL THE INFORMATION THEREIN IS THE PROPERTY OF THE IDEAL SHIELD, IS CONFIDENTIAL AND MUST NOT BE MADE PUBLIC, NOR COPIED, NOR USED, TO THE DISADVANTAGE OF SAID IDEAL SHIELD AND IS SUBJECT TO RETURN ON DEMAND.

COPYRIGHT 2003 , IDEAL SHIELD

| NO. | REVISIONS | DATE | APPROVED |
|-----|-----------|------|----------|
|     |           |      |          |
|     |           |      |          |
|     |           |      |          |
|     |           |      |          |



2525 Clark St.  
Detroit, MI 48209

| PROJECT | CUSTOMER | DESCRIPTION                                      | DRAWN BY:   | APPROVED BY: | DATE:        |
|---------|----------|--|-------------|--------------|--------------|
|         |          | Sign Bollard System<br>1 Sign and 2 Sign Options |             |              |              |
|         |          |  | PROJECT NO: |              | SCALE:       |
|         |          |  | FINISH:     |              | DRAWING NO:  |
|         |          |  | MATERIAL:   |              | SHEET 1 OF 1 |